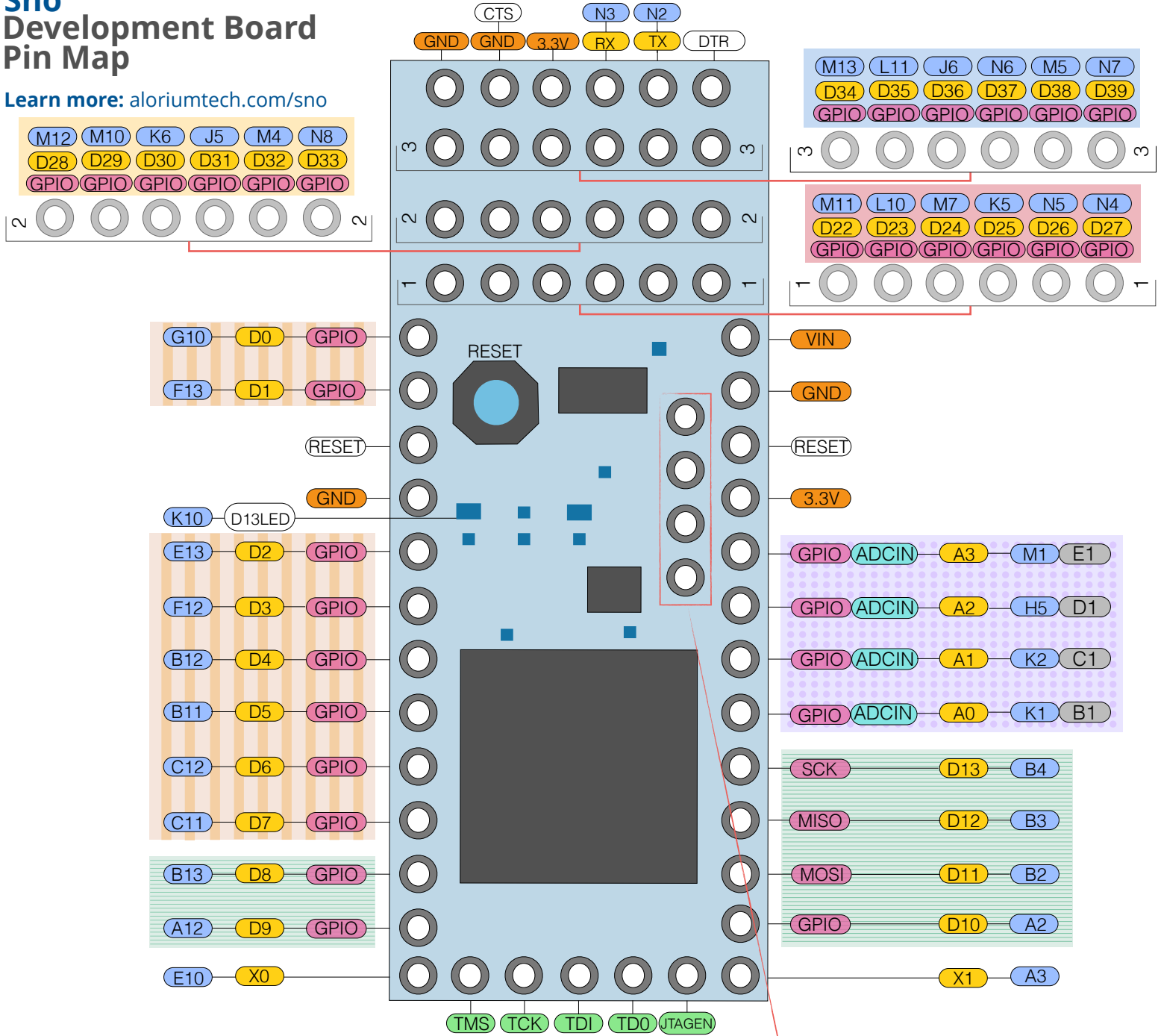


Snō Development Board Pin Map

Learn more: aloriumtech.com/sno



- MAX10 pin number
- Arduino pin number
- MAX10 ADC pin number
- 3.3V GPIO
- Power supply
- Analog inputs
- JTAG BUS
- Other lines

