

# XLR8™

## XLR8 Development Board Pin Map

Learn more:  
[aloriumtech.com/xlr8](http://aloriumtech.com/xlr8)

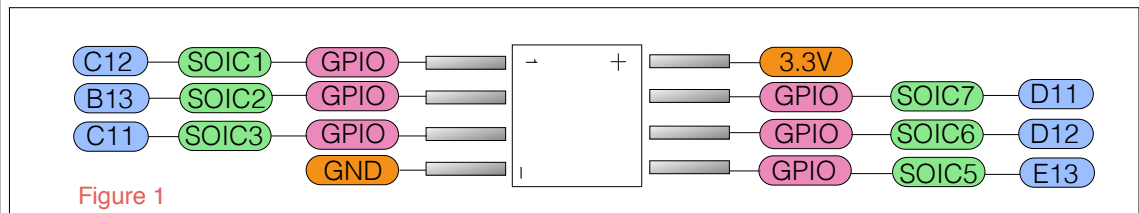
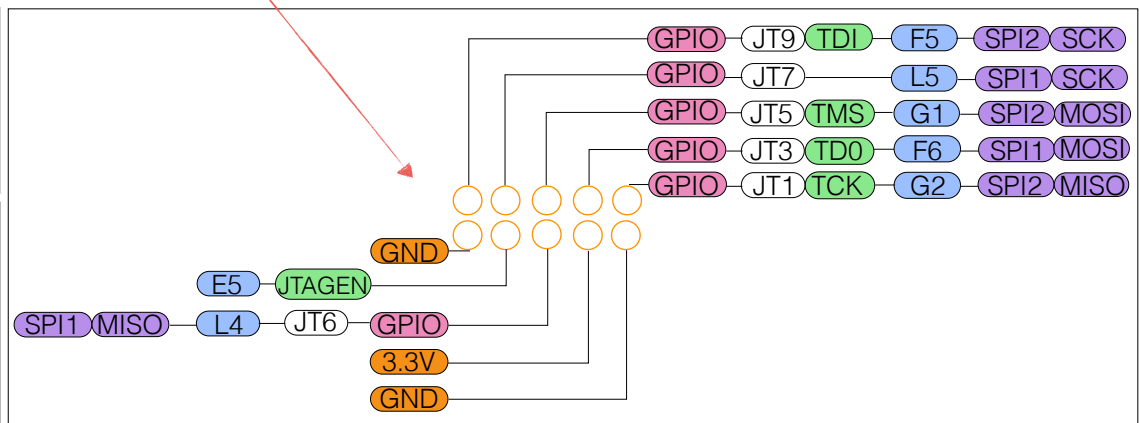
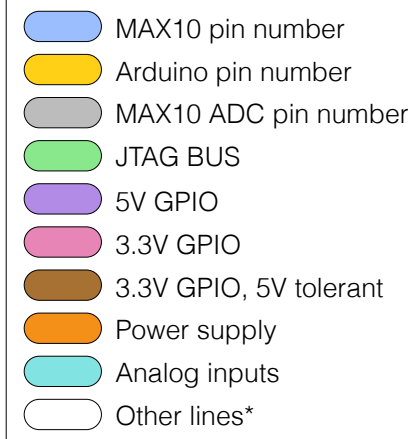
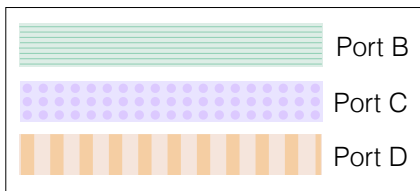
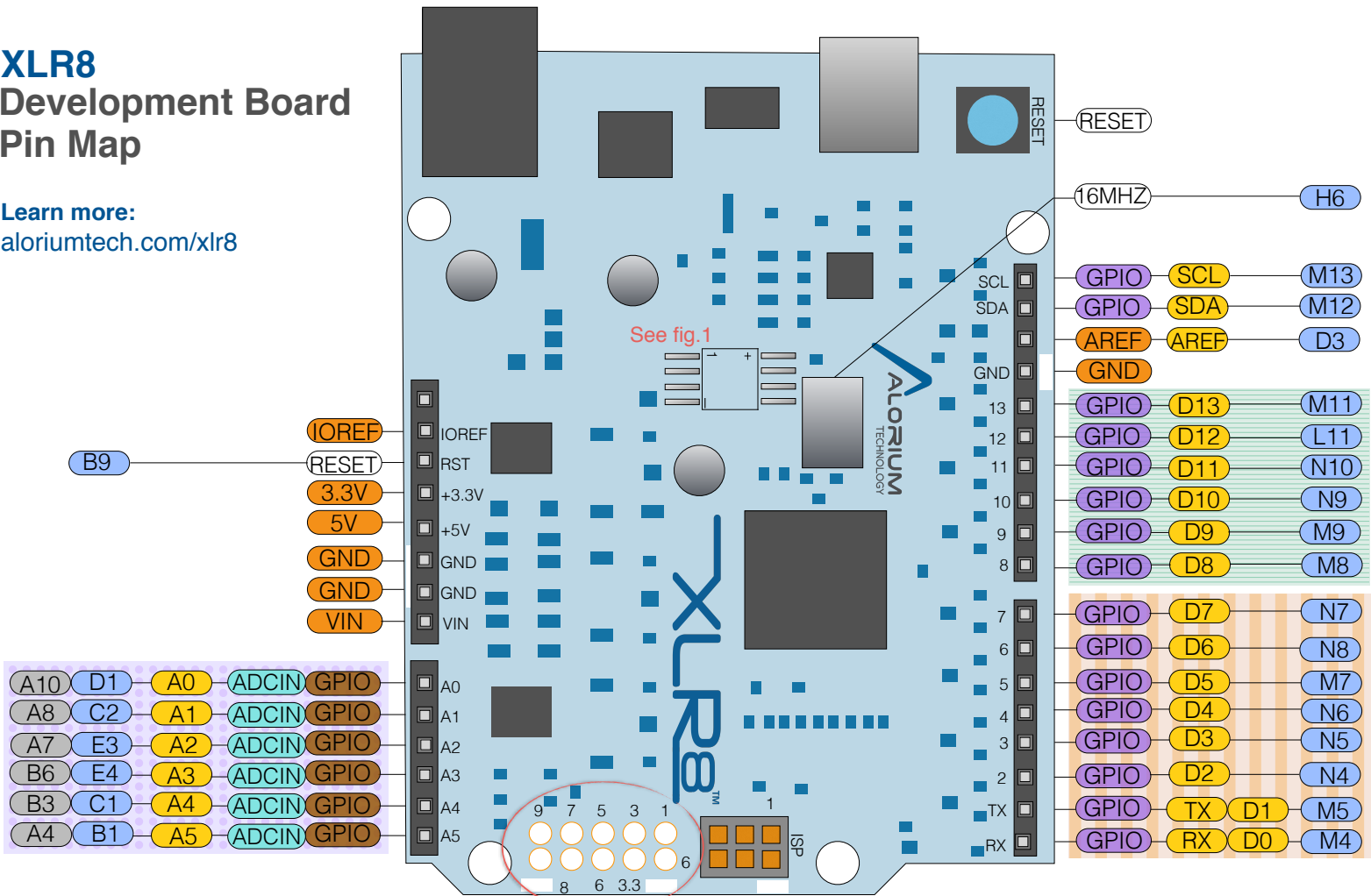


Figure 1

\*JT1 - JT9 used for MFG build and testing.